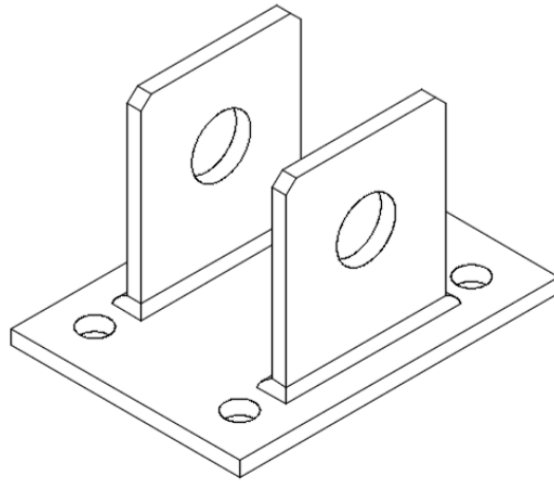
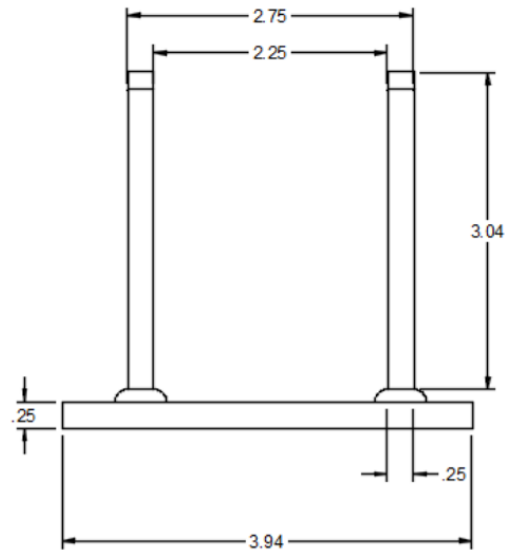
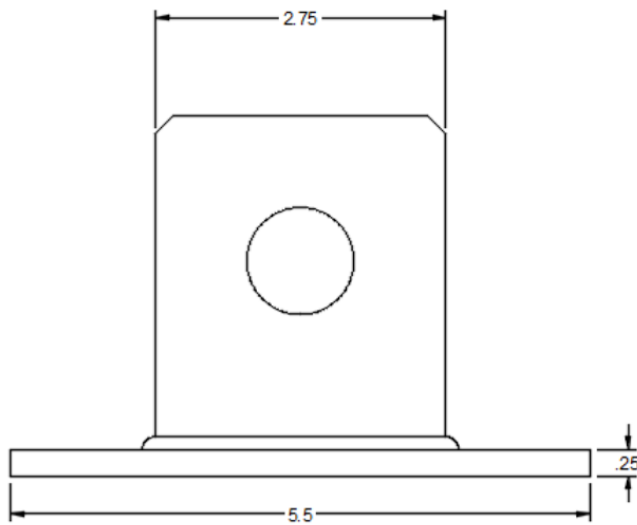


Avans Series Diagonal Brace Mount



PART NUMBER	DESCRIPTION	QTY IN KIT
STA122023	Diagonal Brace Mount , Galvanized Finish	TBD



PART NUMBER	MATERIAL	WEIGHT
STA122023	Steel A36	3.65 Lbs